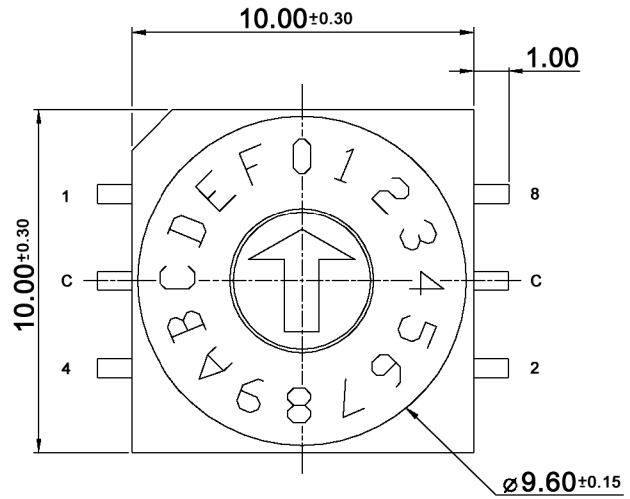


coplanarity failure +/-0.05mm max.

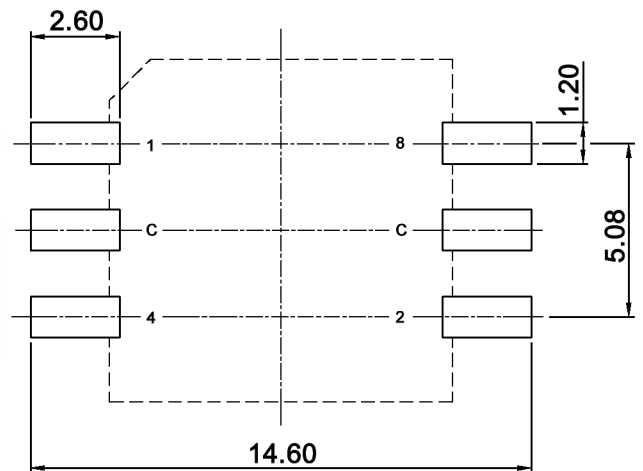


Hexadecimal

	Real coded			
	1	2	4	8
0				
1	●			
2		●		
3	●	●		
4			●	
5	●		●	
6		●	●	
7	●	●	●	
8				●
9	●			●
A		●	●	
B	●	●	●	
C			●	●
D	●		●	●
E		●	●	●
F	●	●	●	●

16 positions

P.C.B. DIMENSION



Compliance: RohS III (2015/863/EU)

Tolerances:			Date	Name
Material	02/21	dr	01/08	dr
JEDEC-ST 020 D	01/19	dr		
Contact rating	08/14	dr		
Temperatures	12/12	dr		
Tolerances	03/12	dr		
IP rating	07/09	dr		
Operating temperature	11/08	dr		
Coplanarity failure	08/08	dr		
Packaging	07/08	dr		
Modifications	Date	Name		

SMR 60016 (T)

knitter-switch

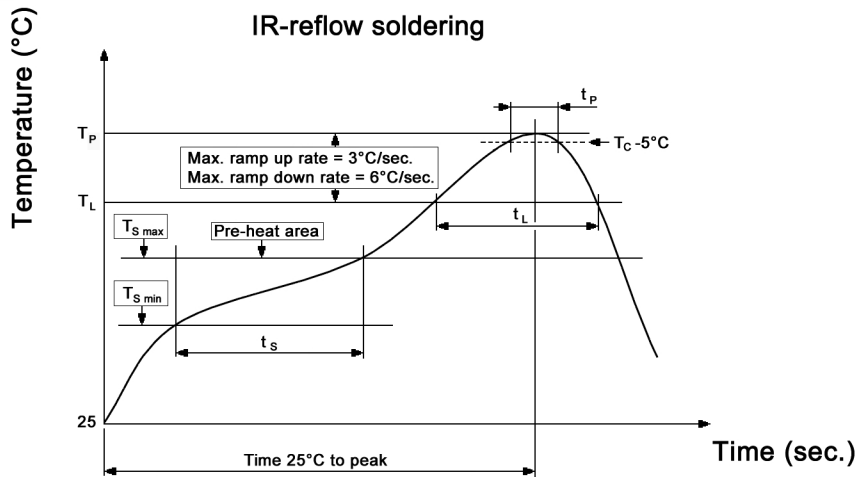
30 13 63

Page

1/3

Specifications:

Contact rating: non-switching: 200mA, 42V
 switching: 150mA, 42V
Contact resistance: 80mOhm max.
Insulation resistance: 100MOhm min. at 250V DC for 1 minute +/-5sec.
Dielectric strength: 250V AC (50/60Hz) for 1 minute
Operating temperature: -60°C to +125°C
Storage temperature: -60°C to +125°C
Mechanical life: 10 000 cycles
Operating force: 700gf/cm max.
Material: Cover / base: LCP, gray
 Actuator: PA66, white
 Contact / terminal: phosphor bronze, 0.07µ min. gold plated
 over 0.1µ min. nickel
 PCB: epoxy seal, 0.05µ min. gold plated
 O-ring: silicone, black
IP rating: IP67
Soldering conditions:

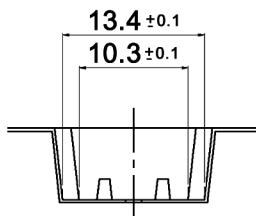
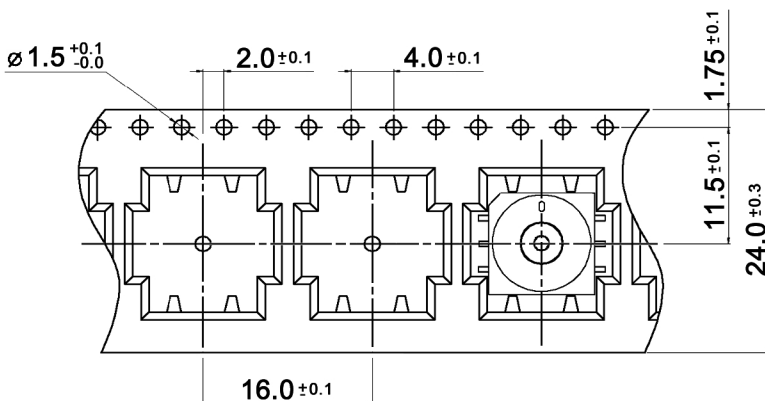
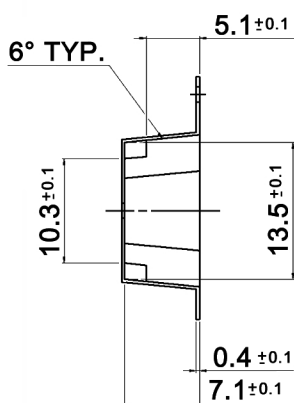
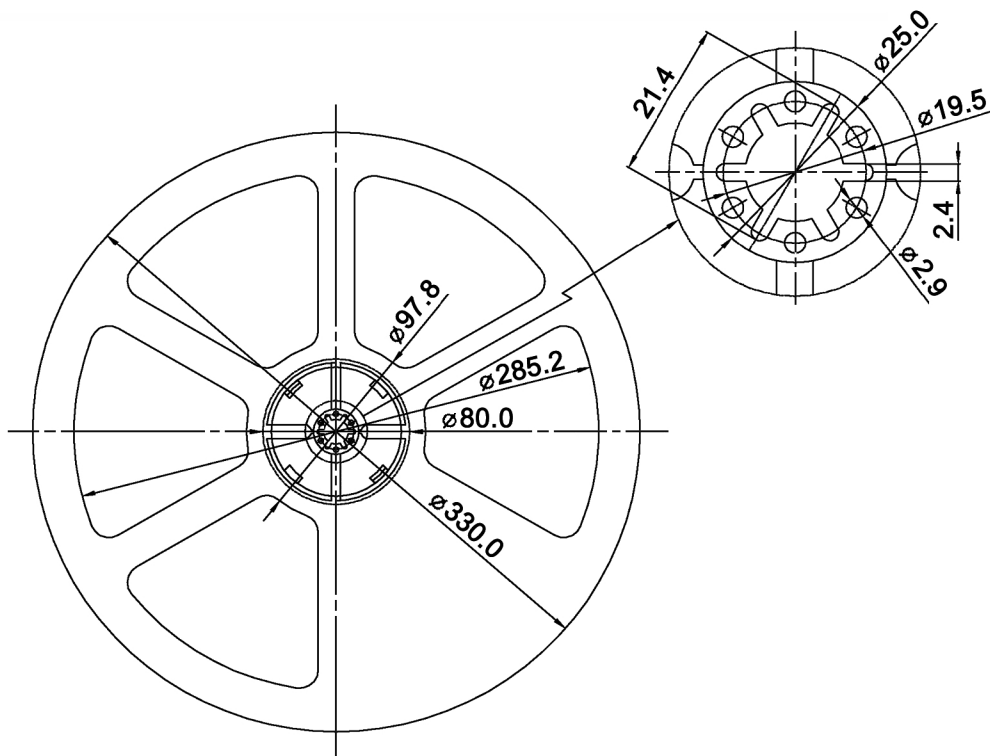
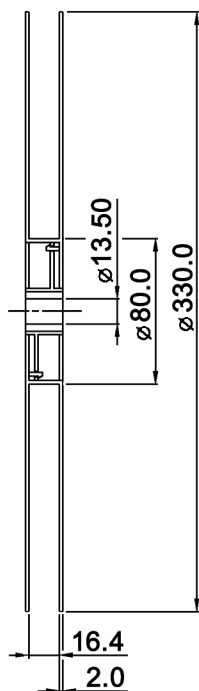


$T_p = 260^\circ\text{C}$
 $t_p = 10\text{sec. max.}$
 $T_L = 217^\circ\text{C}$
 $t_L = 90\text{sec. max.}$
 $T_{S\ max} = 200^\circ\text{C}$
 $T_{S\ min} = 150^\circ\text{C}$
 $t_s = 120\text{sec. max.}$

Compliance: RohS III (2015/863/EU)

Tolerances:			Date	Name	<h1>SMR 60016 (T)</h1>	
			01/08	dr		
Material	02/21	dr				
JEDEC-ST 020 D	01/19	dr				
Contact rating	08/14	dr				
Temperatures	12/12	dr				
Tolerances	03/12	dr				
IP rating	07/09	dr				
Operating temperature	11/08	dr	knitter-switch		<h2>30 13 63</h2>	Page
Coplanarity failure	08/08	dr				2/3
Packaging	07/08	dr				
Modifications	Date	Name				

Packaging:



Ordering code	Packaging
SMR 60016	50 pcs / tube
SMR 60016 T	600 pcs / reel

Compliance: RohS III (2015/863/EU)

Tolerances:			Date	Name
Material	02/21	dr	01/08	dr
JEDEC-ST 020 D	01/19	dr		
Contact rating	08/14	dr		
Temperatures	12/12	dr		
Tolerances	03/12	dr		
IP rating	07/09	dr		
Operating temperature	11/08	dr		
Coplanarity failure	08/08	dr		
Packaging	07/08	dr		
Modifications	Date	Name		

SMR 60016 (T)

knitter-switch

30 13 63

Page

3/3